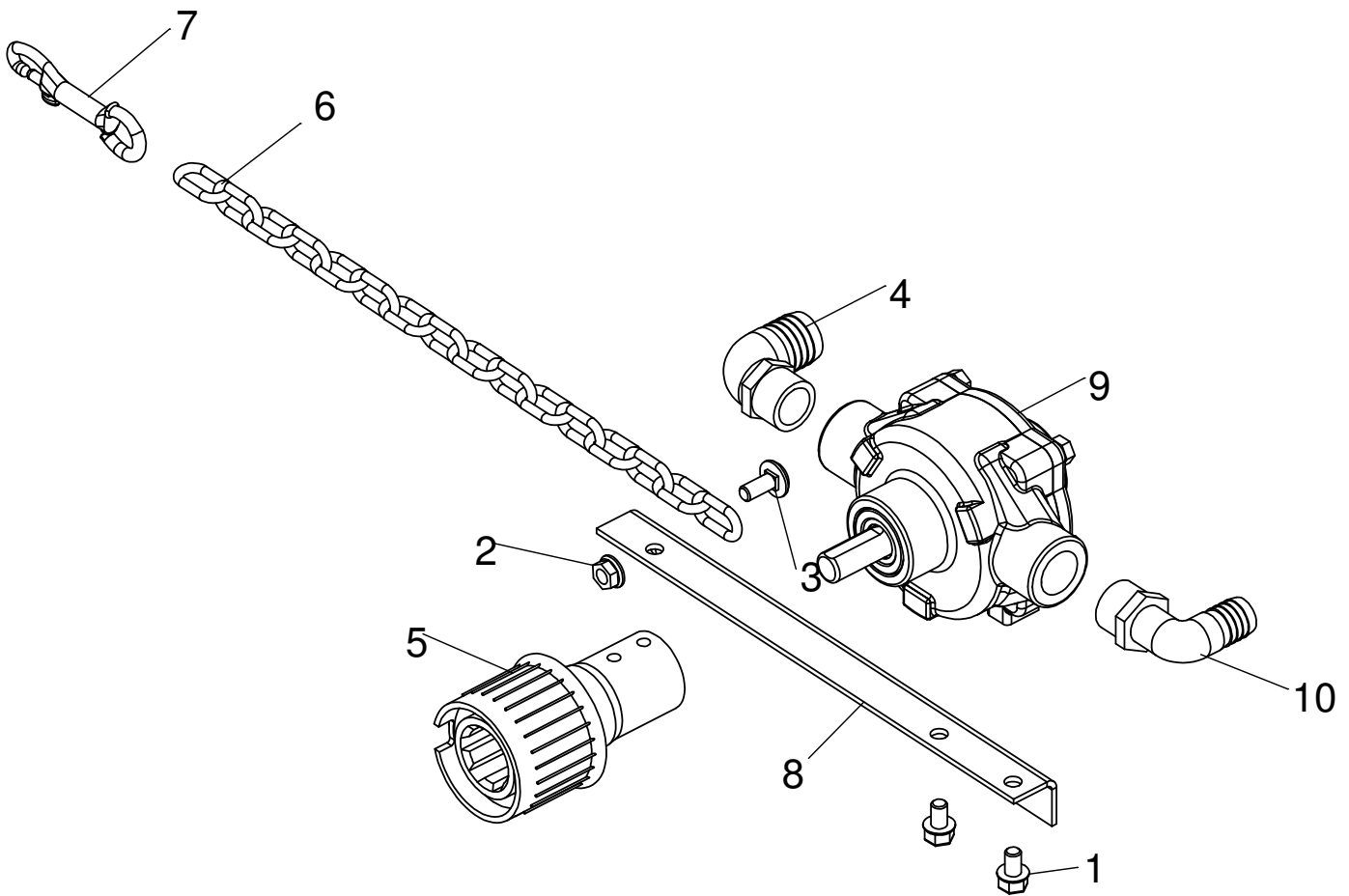


7 Roller PTO Pump



ITEM NO.	PART NUMBER	DESCRIPTION	QTY.	Note
1	N167649	5/16" x 1/2" Flange Bolt	2	
2	A22698	5/16" Flange Nut	1	
3	03H1540	5/16" x 3/4" Carriage Bolt	1	
4	5CS43638	Elbow 3/4" MP - 1" barb	1	
5	5CS43787	PTO Quick Connect Adapter	1	
6	5CS50268	Chain 2/0 - 1.5 ft	1	
7	5CS43650	Chain Latch	1	
8	5CS43622	Pump Mount Angle	1	
9	5CS43786	Pump Cast 7 Roller	1	
9	5CS43788	Pump Silver Series 7 Roller	1	
10	5CS43633	Elbow 3/4" MP - 3/4" barb	1	